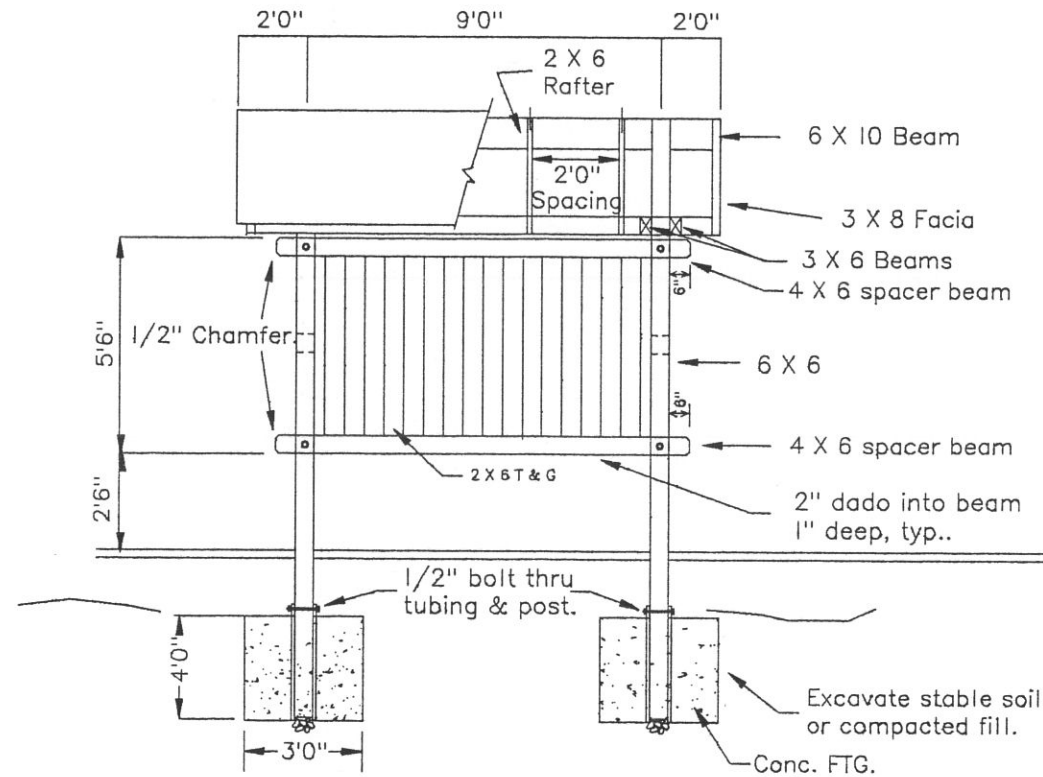


NOTE:

Cedar shake roofing, and
1 X 4 Lath
to match the toilet.

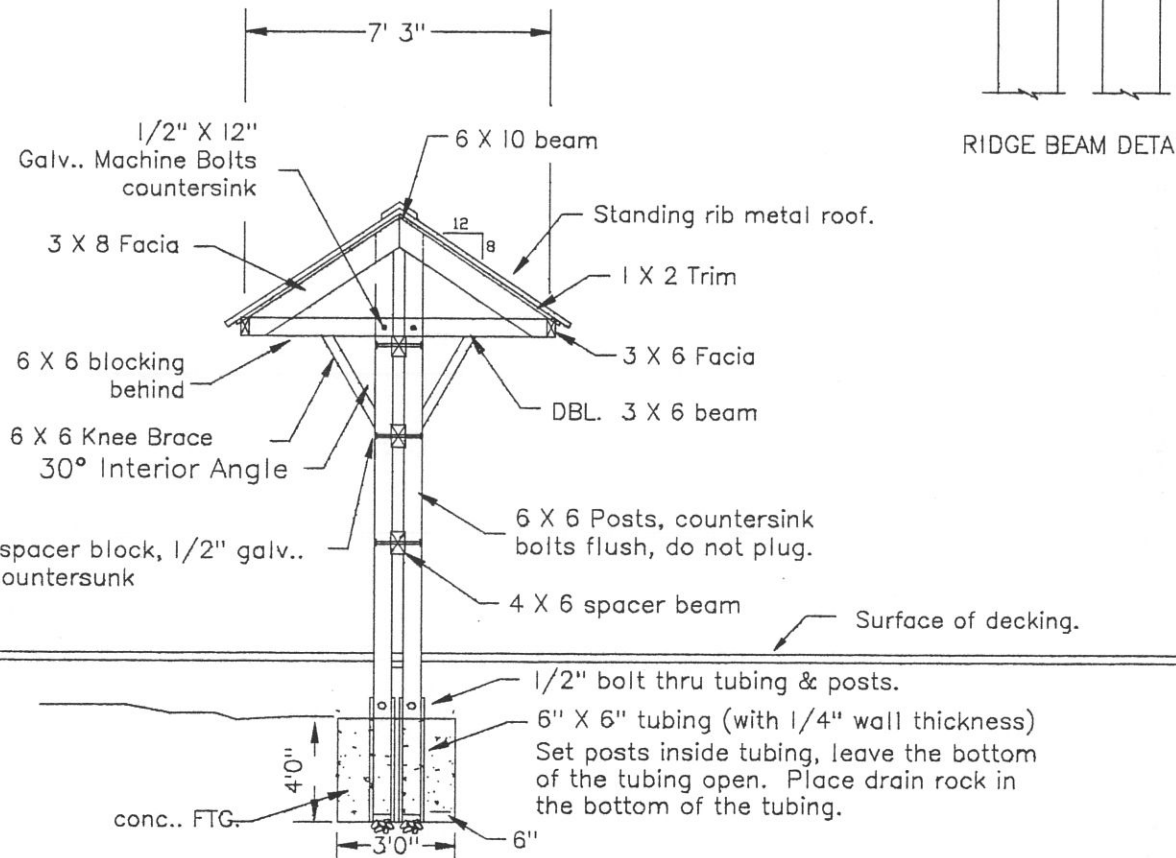


KIOSK SIDE VIEW

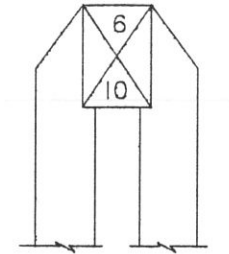
NOTES:

- ALL WOOD MEMBERS ARE WESTERN RED-CEDAR SELECT STRUCTURAL.
- ALL MTL. HARDWARE GALVANIZED ZINC COATING.
- ALL WD. MBRS. TO BE STAINED OLYMPIC #716 FOR T&G BOARDS AND OLYMPIC #707 FOR POSTS AND TRIM

Item 005



KIOSK END VIEW



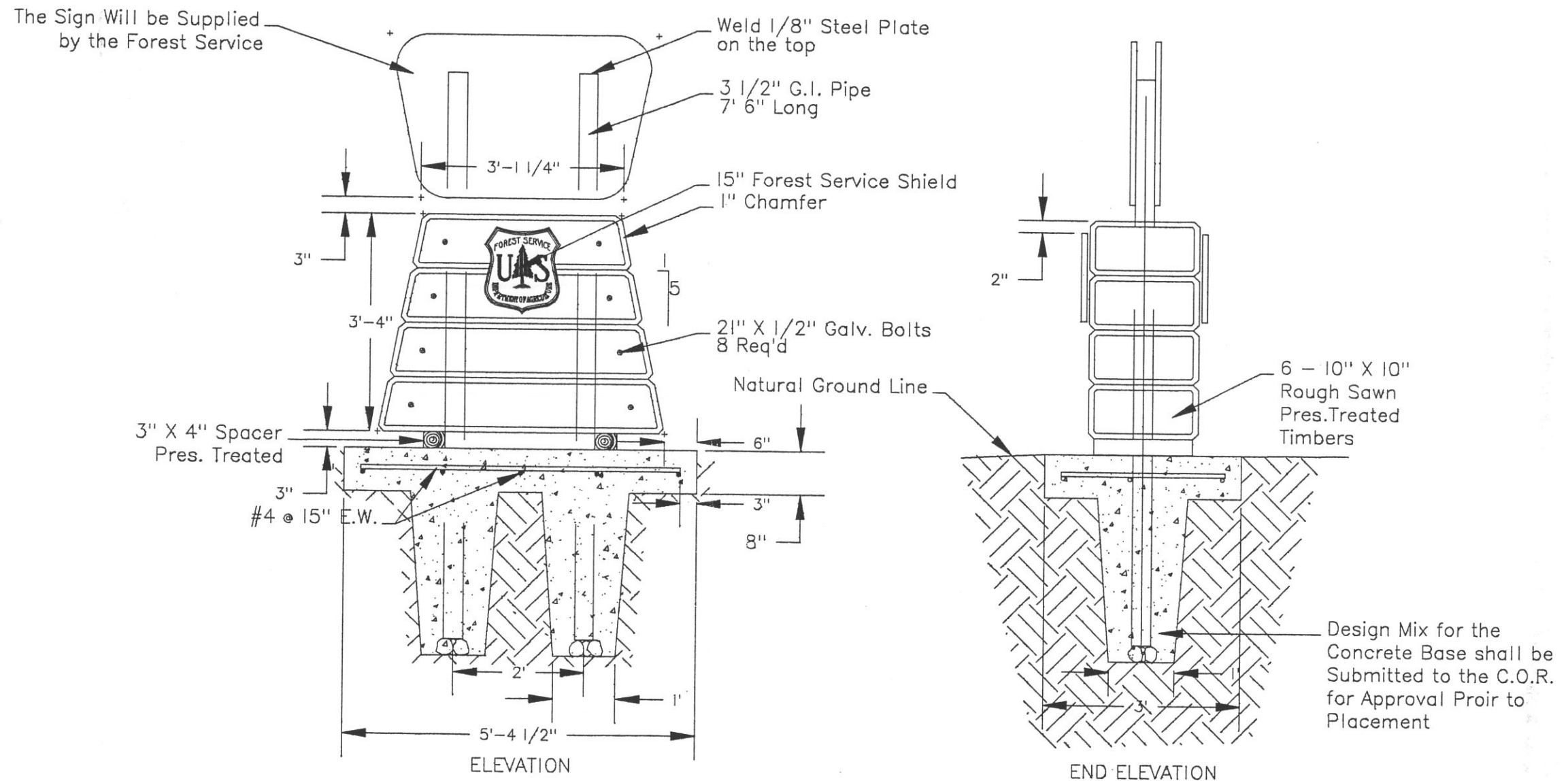
RIDGEBEAM DETAIL

U.S. DEPARTMENT OF AGRICULTURE
FOREST SERVICE
R-6
THE PACIFIC NORTHWEST REGION

Drawn ACAD
Design USFS
Checked none
Reviewed none

Forest
MT. BAKER-SNOQUALMIE N.F.
Project Name
Middle Fork Trail-head

Sheet Title
Kiosk Details
Scale
not to scale
Sheet
of 12 **9**



The Forest Service Shield shall be supplied by the Forest Service.
This work is paid under item 002.